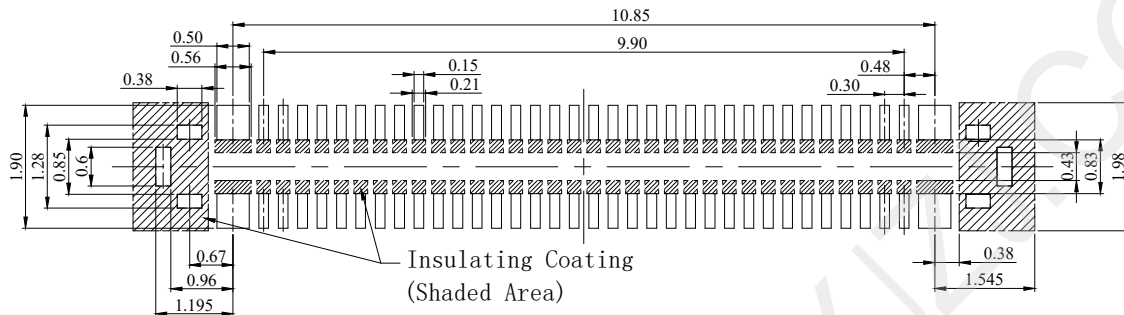
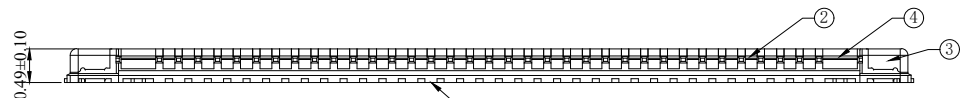


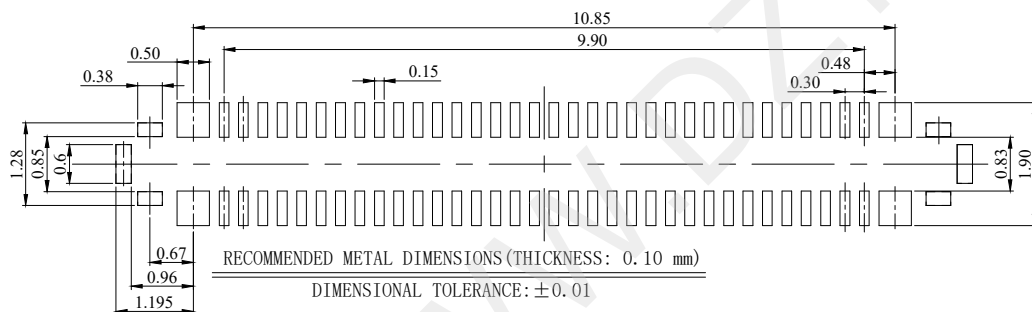
NOTE:

1: SPECIFICATION:

- 1.1 Voltage Rating: 60V AC/DC
- 1.2 Rated current : For signal pin 0.3 AMPS/Pin  
For power pin 12 AMPS Max/(All Power Pin)
- 1.3 Temperature Range: -40 °C to +85°C
- 1.4 Contact Resistance:  
Signalpin:Initial:50mΩ MAX  
AFTER TEST:Δ20mΩ  
Power pin:Initial:15mΩ MAX  
AFTER TEST:15mΩ MAX
- 1.5 Insulation Resistance  
Initial: 500 MΩ Minimum.  
After test: 500 MΩ Minimum.
- 1.6 Dielectric Withstanding Voltage  
NO EVIDENCE OF BREAKDOWN IN AC 100 V,1 MINUTE
- 1.7 MATING-UNMATING FORCE:  
MATING FORCE: 1 CYCLE: 40N MAX  
30 CYCLE:40N MAX  
UNMATING FORCE:1 CYCLE: 10N MIN  
30 CYCLE: 8N MIN
- 1.8 SALT WATER SPRAY: TEMPERATURE 35°C±2°C  
DENSITY OF SALT WATER 5±1%  
DURATION:48±2 HOUR  
Storage Temperature Range -40°C to +85°C  
0 to 90 % RH (Relative humidity).



RECOMMENDED PCB LAYOUT  
DIMENSIONAL TOLERANCE: ±0.02

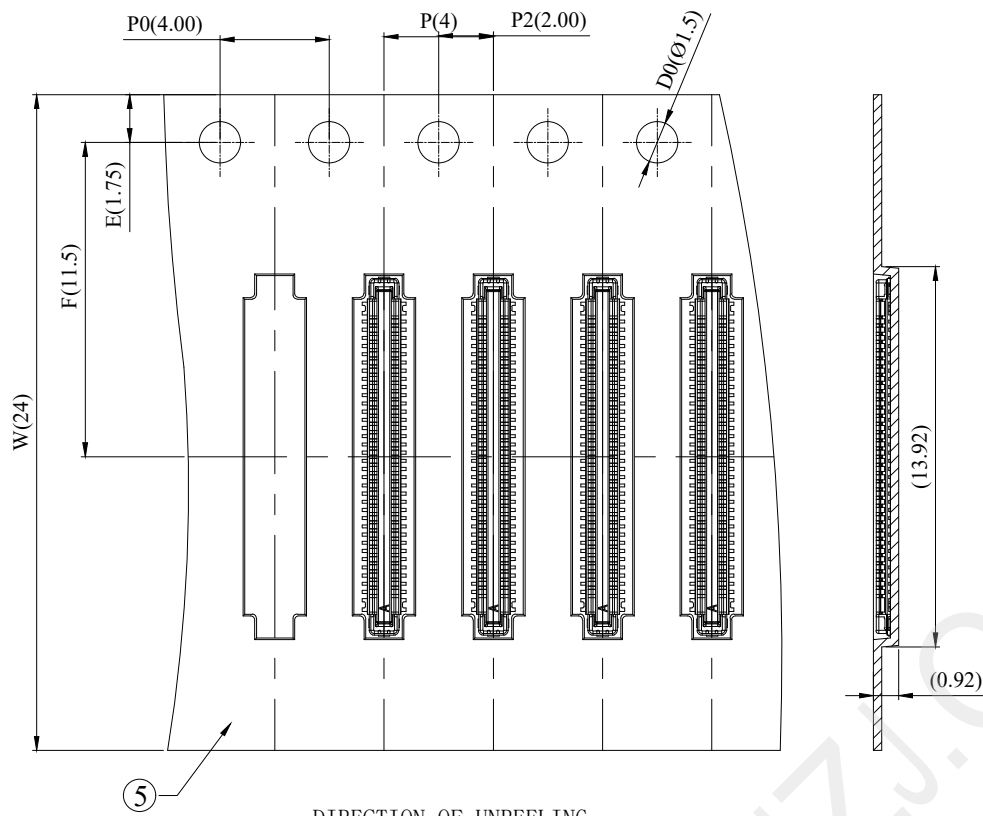


4	POWER CONTACT-B	COPPER ALLOY,AuSn Min ON CONTACT AREA,AuSn Min ON SOLDER AREA,Ni 50u"Min ALL OVER		
3	POWER CONTACT-A	COPPER ALLOY,AuSn Min ON CONTACT AREA,AuSn Min ON SOLDER AREA,Ni 50u"Min ALL OVER	7	REEL PLASTIC
2	SIGNAL CONTACT	COPPER ALLOY,AuSn Min ON CONTACT AREA,AuSn Min ON SOLDER AREA,Ni 50u"Min ALL OVER	6	COVER TAPE PLYLESTER
1	HOUSING	LCP ,BLACK,UL 94 V-0	5	EMBOSSD CARRIER TAPE PS
NO.	PART NAME	DESCRIPTION , REMARKS	NO.	PART NAME DESCRIPTION , REMARKS

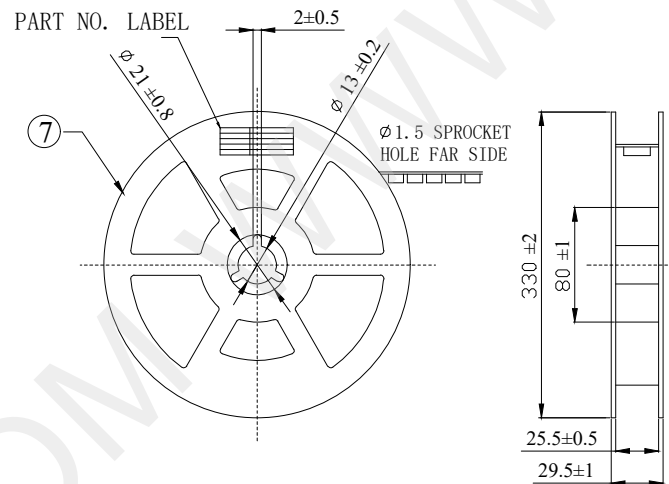
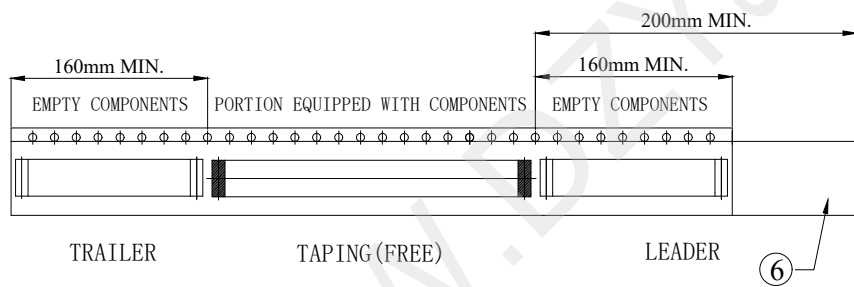


## 深圳市华宇创精密电子有限公司

<b>TOLERANCE:</b> X.X ±0.30 X.XX ±0.25 X.XXX ±0.15 X' ±2' X.X' ±0.5'	<b>DRAWN BY :</b> 陈一鸣	<b>DATE :</b> 2014-02-23	<b>PART NAME:</b> 0.3PH 单槽BTB 公座68+6P
	<b>CHECKED BY:</b> 马跃	<b>DATE :</b> 2014-02-23	<b>PART NO.</b> HYC59M-BTB2X34-6-049
<b>UNIT: mm [inch]</b> <b>SCALE:1:1 SIZE: A4</b>	<b>APPROVED BY:</b> 邱敏	<b>DATE :</b> 2014-02-23	<b>DRAW NO:</b> HYC-2511201534
			<b>SHEET NO.</b> 1 OF 1



DIRECTION OF UNREELING



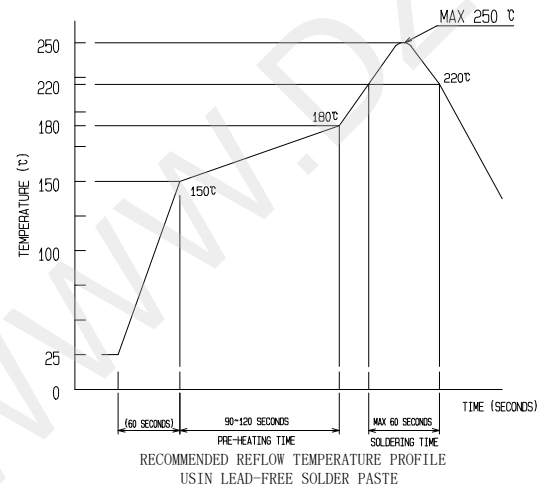
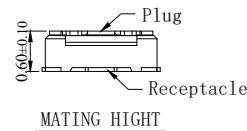
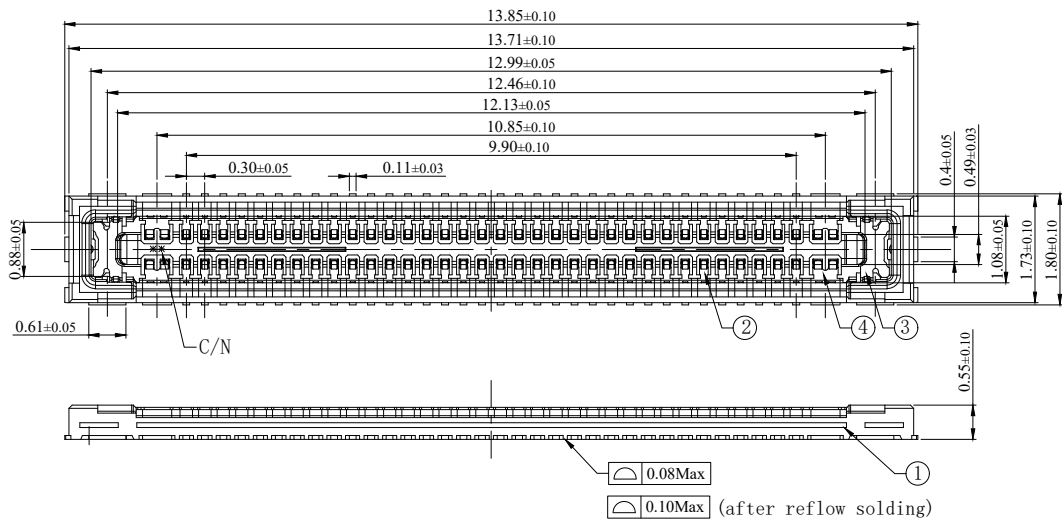
STYLE AND DIMENSION OF REEL

PER REEL 15000 CONNECTORS



深圳市华宇创精密电子有限公司

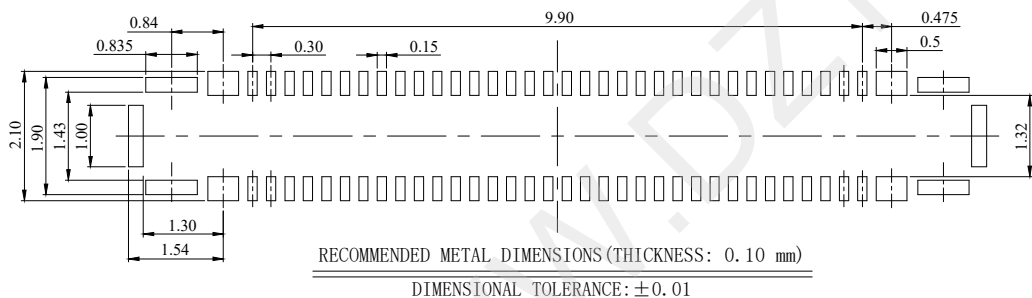
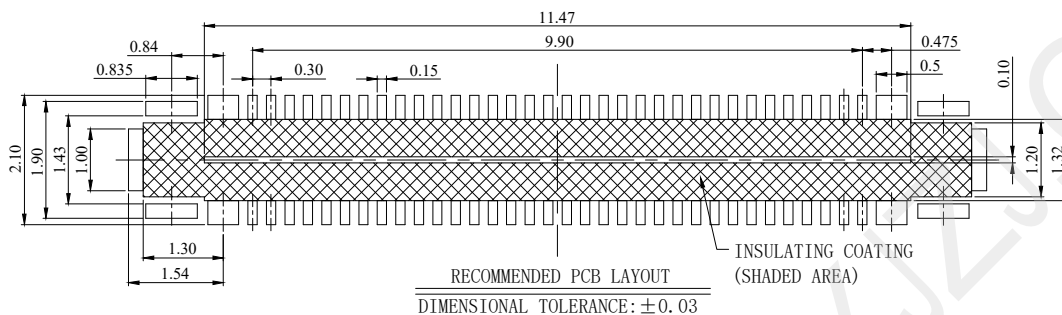
<b>TOLERANCE:</b> X.X ±0.30 X.XX ±0.25 X.XXX ±0.15 X.' ±2' X.X' ±0.5'	<b>DRAWN BY :</b> 陈一鸣	<b>DATE :</b> 2014-02-23	<b>PART NAME:</b> 包装图	
	<b>CHECKED BY:</b> 马跃	<b>DATE :</b> 2014-02-23	<b>PART NO.</b> _____	<b>MOLD NO.</b> _____
<b>UNIT:</b> mm [inch] <b>SCALE:</b> 1:1 <b>SIZE:</b> A4	<b>APPROVED BY:</b> 邱敏	<b>DATE :</b> 2014-02-23	<b>DRAW NO:</b> _____	<b>SHEET NO.</b> 1 OF 1



NOTE:

1:SPECIFICATION:

- 1.1 Voltage Rating: 60V AC/DC
- 1.2 Rated current : For signal pin 0.3 AMPS/Pin  
For power pin 12 AMPS Max/(All Power Pin)
- 1.3 Temperature Range: -40 °C to +85°C
- 1.4 Contact Resistance:  
Signalpin:Initial:50mΩ MAX  
AFTER TEST:Δ20mΩ  
Power pin:Initial:15mΩ MAX  
AFTER TEST:15mΩ MAX
- 1.5 Insulation Resistance  
Initial: 500 MΩ Minimum.  
After test: 500 MΩ Minimum.
- 1.6 Dielectric Withstanding Voltage  
NO EVIDANCE OF BREAKDOWN IN AC 100 V,1 MINUTE
- 1.7 MATING-UNMATING FORCE:  
MATING FORCE: 1 CYCLE: 40N MAX  
30 CYCLE:40N MAX  
UNMATING FORCE:1 CYCLE: 10N MIN  
30 CYCLE: 8N MIN
- 1.8 SALT WATER SPRAY: TEMPERATURE 35°C±2°C  
DENSITY OF SALT WATER 5±1%  
DURATION:48±2 HOUR  
Storage Temperature Range -40°C to +85°C  
0 to 90 % RH (Relative humidity).

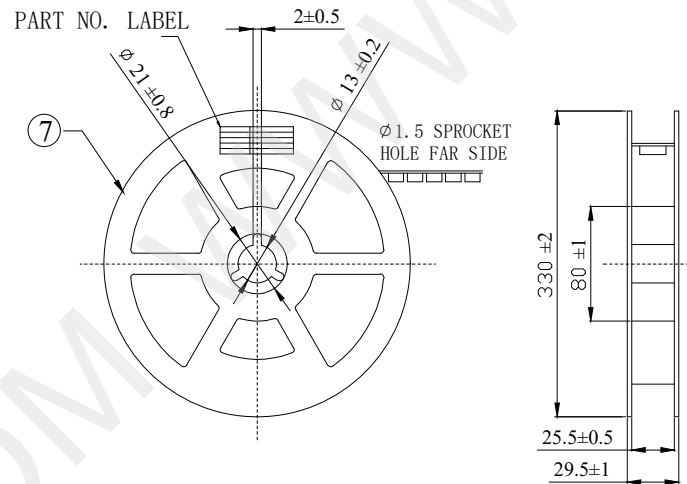
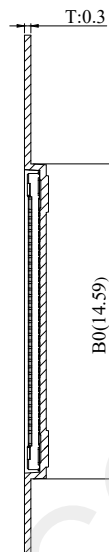
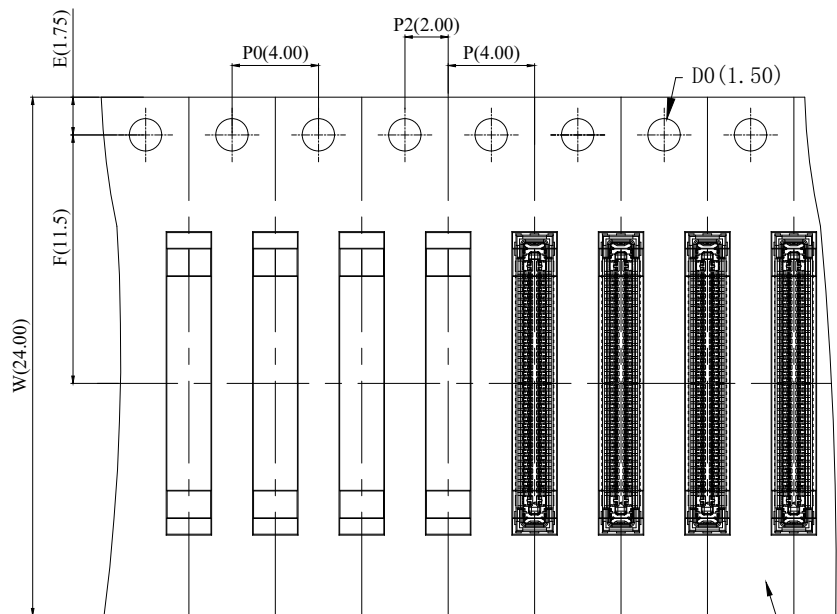


4	POWER CONTACT-B	COPPER ALLOY,Au4u* Min ON CONTACT AREA,Au1u* Min ON SOLDER AREA,Ni 50u*Min ALL OVER		
3	POWER CONTACT-A	COPPER ALLOY,Au4u* Min ON CONTACT AREA,Au1u* Min ON SOLDER AREA,Ni 50u*Min ALL OVER	7	REEL PLASTIC
2	SIGNAL CONTACT	COPPER ALLOY,Au4u* Min ON CONTACT AREA,Au1u* Min ON SOLDER AREA,Ni 50u*Min ALL OVER	6	COVER TAPE PLYLESTER
1	HOUSING	LCP ,BLACK,UL 94 V-0	5	EMBOSSED CARRIER TAPE PS
NO.	PART NAME	DESCRIPTION , REMARKS	NO.	PART NAME DESCRIPTION , REMARKS



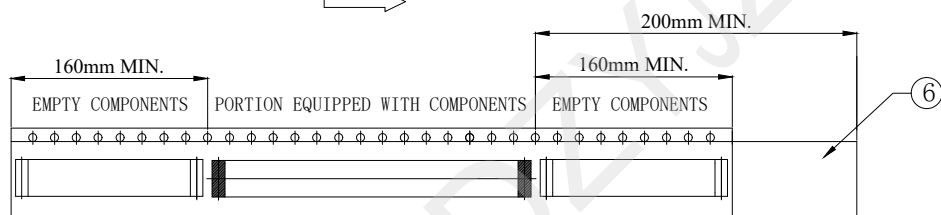
深圳市华宇创精密电子有限公司

<b>TOLERANCE:</b> X.X ±0.30 X.XX ±0.25 X.XXX ±0.15 X' ±2' X.X' ±0.5'	<b>DRAWN BY :</b> 陈一鸣	<b>DATE :</b> 2014-02-23	<b>PART NAME:</b> 0.3PH 单槽BTB 母座68+6P
	<b>CHECKED BY:</b> 马跃	<b>DATE :</b> 2014-02-23	<b>PART NO.:</b> HYC59F-BTB2X34-6-055
 <b>UNIT: mm [inch]</b> <b>SCALE:1:1 SIZE: A4</b>	<b>APPROVED BY:</b> 邱敏	<b>DATE :</b> 2014-02-23	<b>DRAW NO.:</b> HYC-2511201521
			<b>SHEET NO.:</b> 1 OF 1



STYLE AND DIMENSION OF REEL  
PER REEL 15000 CONNECTORS

DIRECTION OF UNREELING



TRAILER

TAPING (FREE)

LEADER



深圳市华宇创精密电子有限公司

TOLERANCE: X.X ±0.30 X.XX ±0.25 X.XXX ±0.15 X' ±2' X.X' ±0.5'	DRAWN BY : 陈一鸣	DATE : 2014-02-23	PART NAME: 包装图	
	CHECKED BY: 马跃	DATE : 2014-02-23	PART NO.	
UNIT: mm [inch] SCALE:1:1 SIZE: A4	APPROVED BY: 邱敏	DATE : 2014-02-23	MOLD NO.	
			DRAW NO:	
			SHEET NO.	1 OF 1